

Building Concrete Barriers in 1/35 Scale (XPS Foam) Instructions & Template

Thank you for visiting my YOUTUBE channel

DID YOU  YET?
SUBSCRIBE

ATTENTION - Always use protective gear and adult supervision when handling sharp and power tools!

Preparation

Print the Template Cage pieces on Page 3.

Make sure the short profile of the Template piece #5 measures 2.5 Centimeters

Step 1 - Creating the Template Cage

- Cut all 5 templates individual template pieces
- Position them as a guide on the balsa wood using them as a guide to mark, with a pen, the cutting lines
- Cut all the individual pieces following the guidelines created on the previous step
- Make sure the angulated sides of the pieces 1 & 2 match, if necessary use a sanding element to make sure they are perfectly even
- Glue the pieces 1 through 4 according to the image 2 on page 2
 - Use white or PVA glue for the initial assembly of the Template Cage, let it dry for 30 minutes,
 - Use CA Glue for a more strong bond

Step 2 - Cutting the XPS Foam to form the foundation BLOCK

- Make sure the wike is perfectly align on a 90 degree angle
- Use the long profile of the Template 1 to measure the height of the block, then make the cut
- Use the short profile of the Template 4 to measure depth of the block, then make the cut
- Use the long profile of the Template 5 to measure the length of the block, then make the cut

Step 3 - Trimming the foundational BLOCK

- Insert the foam block inside of the Template Cage
- Make sure the foam block is flush with the back side (straight side) of the Template Cage
- Trim the profile of the block protruding from the Template Cage, this will create one side of the barrier
- Flip the foam block horizontally to trim the opposite side, this will create the other side of the barrier

Step 4 - Making the Drainage slots (Optional)

- Use the template 5 as a guide
- There are two option on this stage
 - Use the wire cutter, or
 - Use a sharp hobby knife

Materials used

Balsa wood strip 3/32 x 3 x 24 in

High density XPS Foam

0.2 mm metal wire

Tools used

White glue

PVA glue

CA glue

Sanding elements

Hobby rotary tool

Razor saw

Hobby knife

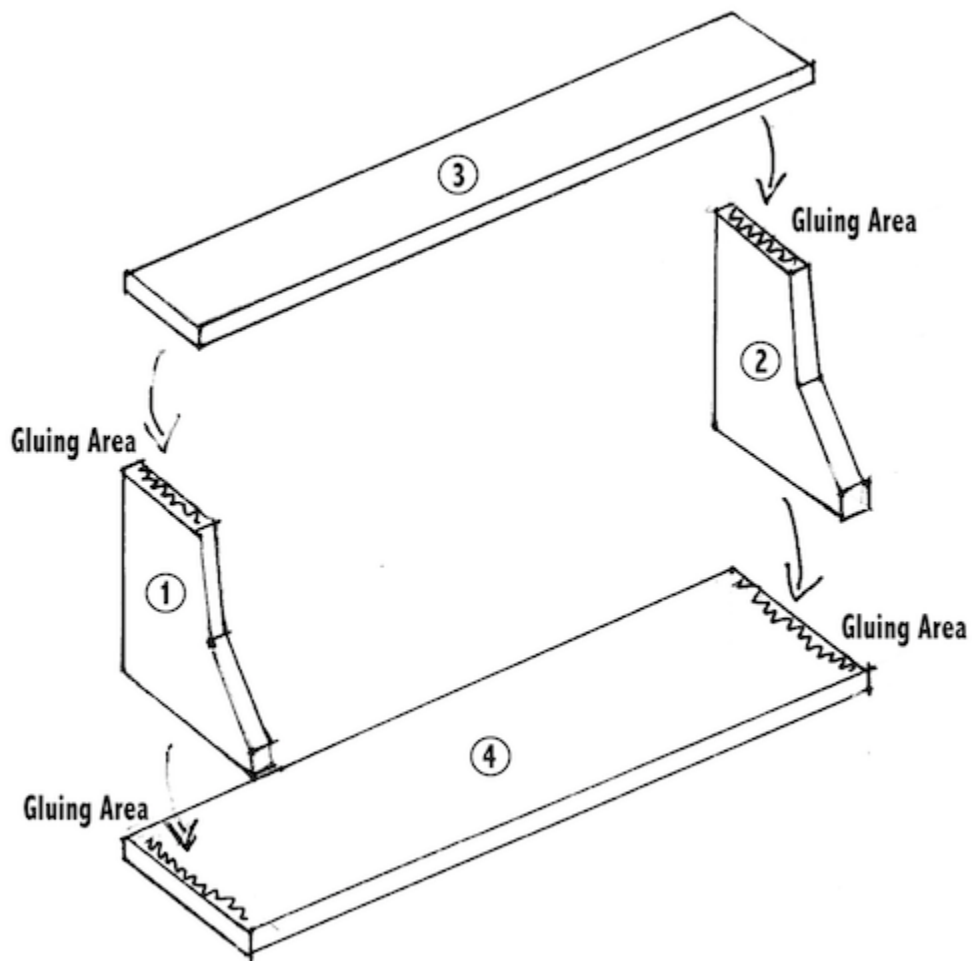
Seasors

Pen

Foam wire cutter

Metal ruler

Template Cage Assembly Instructions



Template Cage pieces

REAL SIZE IMAGES FOR 1/35 SCALE

IMPORTANT: Make sure the side of Template 5 measures 2.5 Centimeters

